

SL 608 Outdoor High Lifter

for outdoor and indoor use



High Lifter has a longer reach and higher lifting height

The SL 608 Outdoor High Lifter is a powerful lift, which is suitable for lifting both in and out of doors, e.g. on construction sites.

SL 608 Outdoor High Lifter lifts up to 608 kg

- Off road with front-wheel drive
- Manoevrable with dual rear wheels
- Foam filled tyres
- Self-driven
- Electronic brake
- Lifting height 3700 mm (centre of yoke)
- 2 vacuum circuits with 2 pumps
- 4 Suction pads Ø 400 mm
- Ergonomic operation handle
- Waterproof according to ip65



In addition to the electrical extension, the carrying arm is fitted with a manual extension arm to provide extra long reach.



The lift has 100 mm sideshift for accurate adjustment when fitting the window



Sales Rental Service
HELI.be
Vantegemstraat 9 | B-9230 Wetteren | +32 9 368 80 80 | info@heli.be

Smart Lift
DENMARK

SL 608 Outdoor High Lifter



The vacuum system is separated into two vacuum circuits for highest security. Showing vacuum circuits with blue and red vacuum hoses



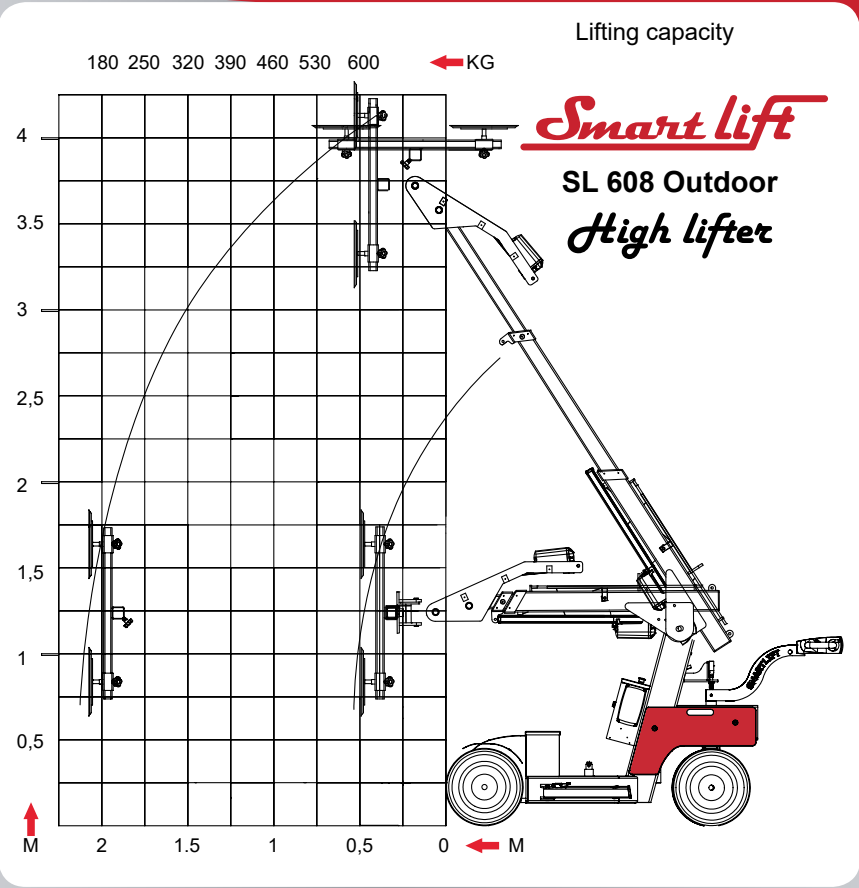
The yoke has movements in all directions



The lifting head has two settings, adjusted by means of two holes for the locking bolt. The lifting head can therefore be adjusted to tilt more towards the ceiling or floor.

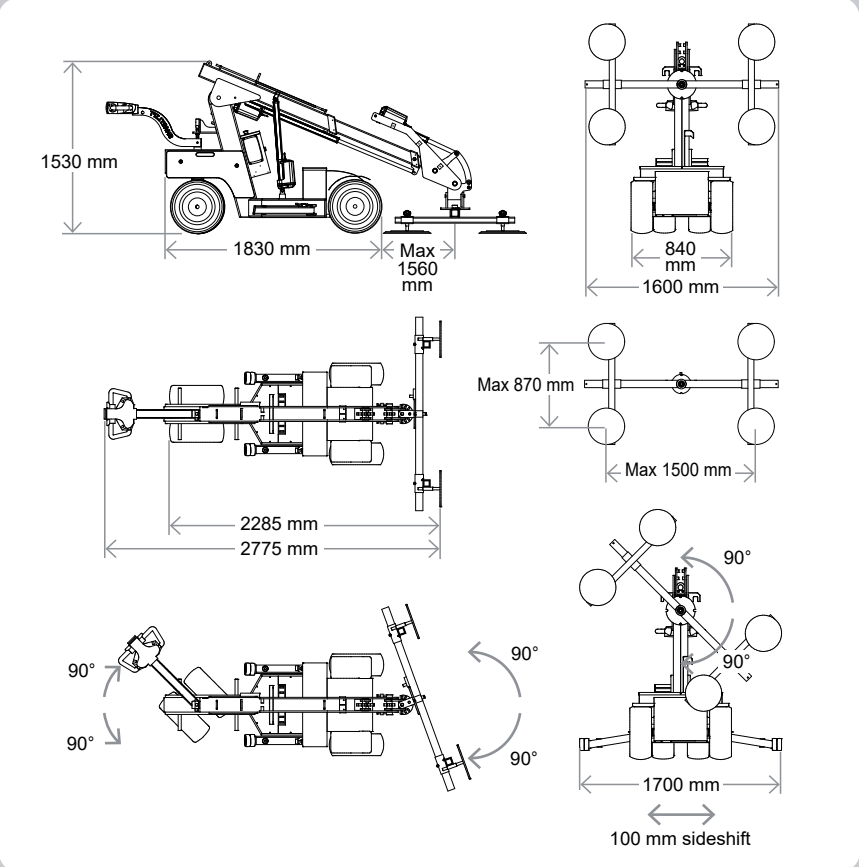


The Smartlift is easily transported in a van or on a trailer



Technical data

Description	Value
Weight	930 kg
Height	1530 mm
Width (min)	840 mm
Length (min)	22850 mm
Extension of arm	700 + 900 mm
Tip from horizontal	40° back/100° forward
Speed regulation	Stepless high/low
Sideshift	100 mm
Vacuum system	2 circuits
Lifting height mounting	4080 mm
Charging voltage	230 volt
Integrated charger	Ctek XT 14000
Charging time	Approx 8 hours
Battery(2 x 12v) 24 volt	2 x 105 A
Running period	Approx 20 hours
Front-wheel drive	1200 Watt - AC
Brake	Elektronic
Suction pads	4 unit Ø 400 mm
Lifting capacity arm in/extended (1600 mm)	608 kg/150 kg



032016