

**OUTDOOR**  
PRODUCT



© Smart Lift A/S 2018

## SL 408 OUTDOOR HIGH LIFTER

LIFTS UP TO 380 KG / 837 LBS.

The SL 408 Outdoor High Lifter is designed for installations that require additional reach and lifting height.

The lift easily reaches across basement shafts or flower beds. Wide tyres make the lift suitable for difficult off-road jobs. The tires are poly-filled puncture proof.

This is our most popular model that has all the features needed for the majority of window installations.

 Available in all colors



EXTENSION OF ARM  
**120 CM** / 3 FT. 11 IN.



LIFTING HEIGHT  
**3.25 M** / 9 FT. 2 IN.



Longer reach and versatility



**Sales  
Rental  
Service**



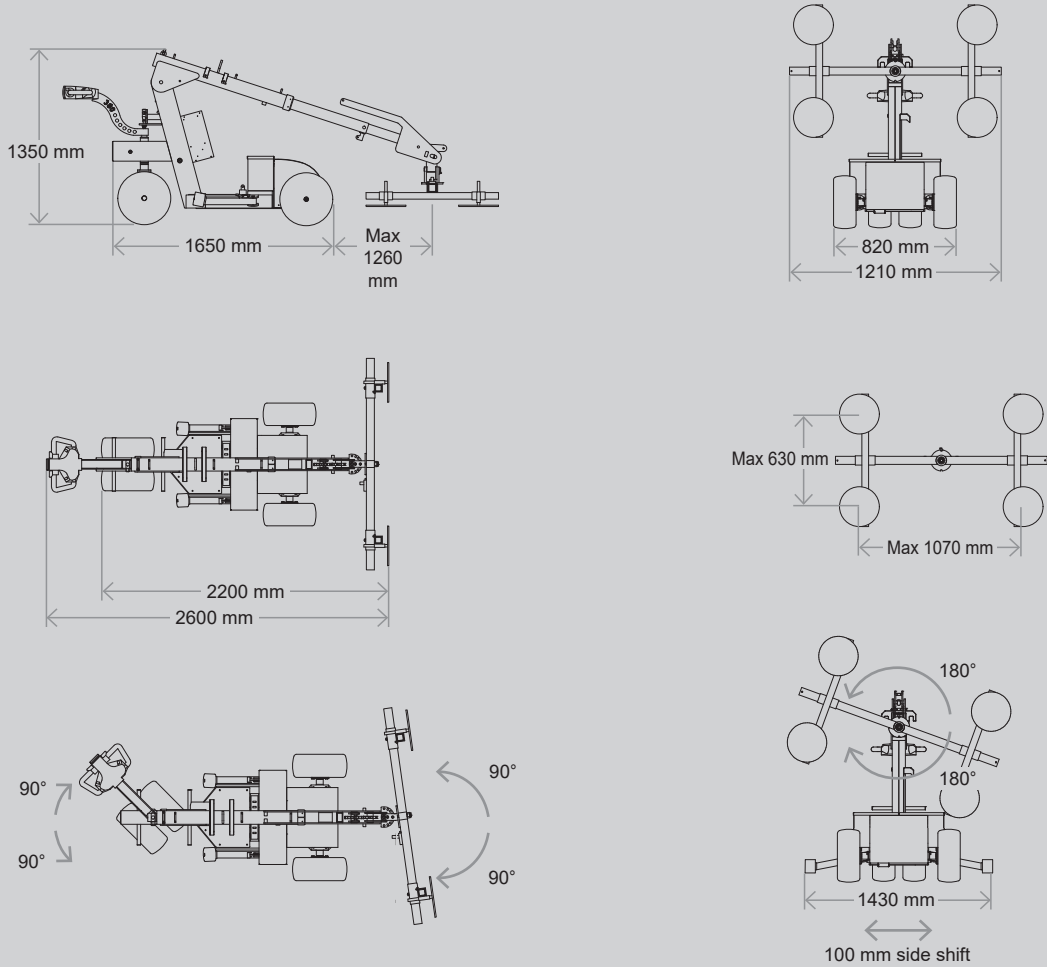
**HELI**.be

Vantegemstraat 9 | B-9230 Wetteren | +32 9 368 80 80 | info@heli.be

**Smart lift**<sup>®</sup>

www.smartlift.com

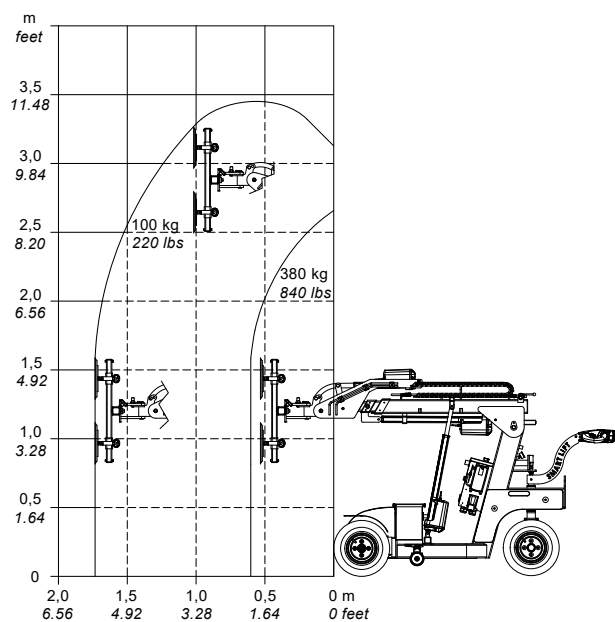
**BASIC DATA**



**TECHNICAL SPECIFICATIONS**

|                         |                                   |
|-------------------------|-----------------------------------|
| Lifting cap. arm in/out | 380 kg/100 kg - 837 lbs./220 lbs. |
| Lifting height          | 3,250 mm / 128 in.                |
| Extension of arm        | 600 + 600 mm / 24 + 24 in.        |
| Tip from horizontal     | 45° back / 90° fwd.               |
| Side shift              | 100 mm / 4 in.                    |
| Charging voltage        | 230 V / 110V                      |
| Charging time           | Approx. 8 hrs.                    |
| Battery                 | 2 x 105 Ah                        |
| Running period          | Up to 10 hrs.                     |
| Front wheel drive       | 1200 W AC                         |
| Suction pads            | 4 x Ø 300mm / Ø12 in.             |
| Curb weight             | 680 kg / 1,500 lbs.               |
| Class                   | IP 65                             |

**LIFTING DIAGRAM**



**Sales  
Rental  
Service**

**HELI.be**

Vantegemstraat 9 | B-9230 Wetteren | +32 9 368 80 80 | info@heli.be

**Smart lift®**

www.smartlift.com