

Model 530LRT

ROUGH TERRAIN SCISSOR LIFTS



MORE ECONOMIC

- Variable engine control cuts fuel consumption and operating costs.

MORE PRODUCTIVE

- Enjoy superior terrainability and comfortable navigation on almost any job site with four-wheel-drive and standard oscillating axle.

MORE ACCESS

- More room for people and materials thanks to spacious deck with standard extension. Increase space to a massive 7.2 m² with optional MegaDeck for an even bigger working environment.

SMART DESIGN

- Optimal capacity with robust construction and high-strength scissor pack.

Standard Features

- 1.91 m x 4.06 m steel platform (deck extensions retracted)
- 1.14 m manual front deck extension
- Fold down handrails
- Dual side entry with half swing gates
- Lanyard attach points
- Proportional drive control with thumb steer
- Proportional lift/lower speed control
- Joystick enable for lift and drive
- Moveable and removable platform console box
- Load sensing system
- Programmable "Personality" settings
- On-board self-diagnostic testing
- Engine distress warning/shut down system¹
- Hydrostatic drive with anti stall function
- Two speed drive selection
- Four wheel drive
- 3 degree tilt alarm and indicator light
- Guardless system with audio visual alarm
- Oscillating front axle
- Hydraulic leveling jacks
- Lifting/tie down lugs
- Hour meter
- Ground control selector switch with key lock
- Lubrication free scissor arm bushings
- Scissor maintenance prop
- Horn
- AC power cable to platform

¹ Low oil pressure and high coolant temperature alarms with shut-down enabled/disabled by analyser.

Standard Specifications

Power Source	
• Diesel Engine Kubota D1305	21.7 kW
• Fuel Tank Capacity	83 L
Hydraulic System	129 L
Tyres	12 x 16.5 Foam-Filled



Accessories & Options

- 1.91 m x 4.87 m Megadeck with dual manual extensions
- 1.14 m manual rear deck extension
- Platform Worklights
- 13 mm airline to platform
- Flashing Amber Beacon
- Skypower 7,500W generator package
- Night Bright[®] Package²
- Pipe Racks
- Euro plugs and sockets
- All motion alarm
- Platform Workstation w/o 12V Plug
- On-board 4,000W generator
- Synthetic Biodegradable Hydraulic Oil
- Descent alarm
- Special paint colour
- Fixed Axle
- Without roll out rear extension
- Foam Filled Non Mark 12 x 16.5 Tyres
- Foam Filled 395/55 D20 Tyres
- Foam Filled Non Mark 395/55 D20 Tyres

² Includes four platform mounted LED floodlights

Model 530LRT

ROUGH TERRAIN SCISSOR LIFTS

Performance

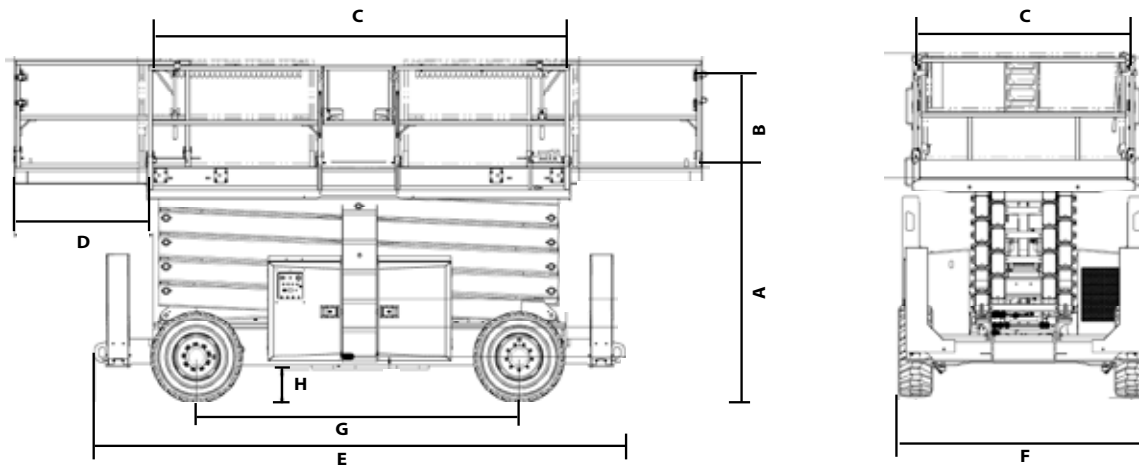
- Working Height 18.15 m
- Platform Capacity (incl Dual extension) 680 kg
- Capacity on Optional Deck Extension(s) 230 kg
- Dimensions:
 - Platform Height Elevated 16.15 m
 - A. Platform Height Lowered 2.02 m
 - B. Platform Railing Height 1.13 m
 - C. Platform Size 1.91 m x 4.06 m
 - D. Platform Extension 1.14 m
 - E. Overall Length 4.88 m
 - F. Overall Width 2.31 m
 - G. Wheelbase 2.97 m
 - H. Ground Clearance 32 cm
- Lift/Lower Time 65/60 seconds
- Maximum Drive Height 9.75 m
- Maximum Weight ^{1/2} 7,995 kg
- Maximum Ground Bearing Pressure 6.7 kg/cm²
- Drive Speed 4WD 5.6 km/h
- Gradeability 4WD 40%
- Turning Radius – Inside 4.04 m
- Turning Radius – Outside 6.02 m
- Axle Oscillation 0.20 m

¹ Certain options or country standards may increase weight and/or dimensions

² With Standard tires



Dimensions



IMPORTANT

JLG is continually researching and developing products and reserves the right to make modifications without prior notice. All data in this document is indicative. Certain options or country standards will increase weight. Specifications may change to meet country standards or with the addition of optional equipment.



JLG EMEA BV

Polaris Avenue 63
2132 JH Hoofddorp
The Netherlands
Tel: +31 (0) 23 565 5665
Fax: +31 (0) 23 557 3750
www.jlg.com