

Specifications

MEASUREMENTS	Metric	US
Working height, max.	14,70 m	48 ft 3 in
Horizontal outreach, max.	7,60 m	24 ft 11 in
Up-and-over clearance, max.	5,40 m	17 ft 9 in
Platform height (A)	1,10 m	3 ft 7 in
Platform length (B)	0,70 m	2 ft 4 in
Platform width (C)	1,40 m	4 ft 7 in
Length, overall (D)	5,25 m	17 ft 3 in
Length without basket (E)	4,52 m	14 ft 10 in
Height, travel position (F)	1,99 m	6 ft 6 in
Width, minimal overall width (G)	0,78 m	2 ft 7 in
Max. ground clearance (H)	0,42 m	1 ft 4 ½ in
Track (L x W) (I)	133 x 18 cm	4 ft 4 in x 7 in
Length outrigger footprint max. (J)	3,61 m	11 ft 10 in
Width outrigger footprint max. (K)	3,15 m	10 ft 4 in
Outrigger plate Ø	0,20 m	7 ft ¼ in

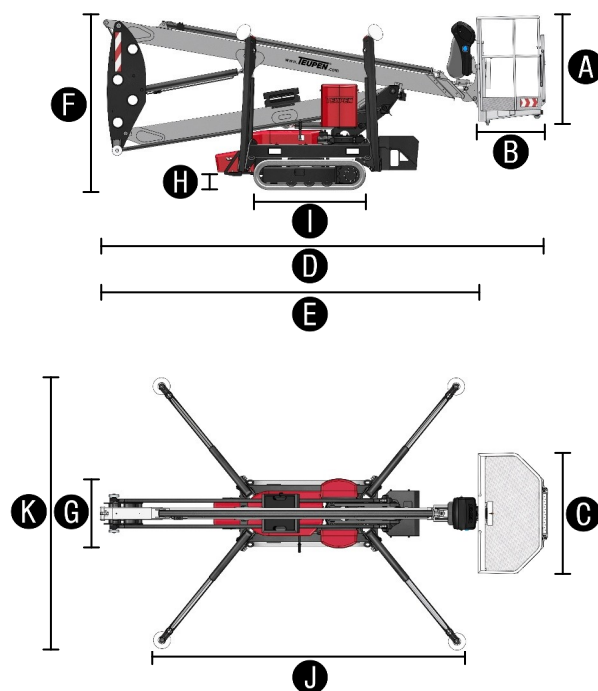
PRODUCTIVITY	Metric	US
Basket capacity	200 kg	441 lbs
Movable Jib	-	-
Turret rotation	355°	355 °
To be jacked up on ground slope of	13°/23 %	13°/23 %
Height and width track adjustment	12/18 cm*	4¾ / 7 in*
Gradeability max.	17°/30 %	17°/30 %
Slope angle	17°/30 %	17°/30 %
Travel speed	1,0 km/h	0.6 mph

WEIGHT	Metric	US
Total weight	1780 kg	3,925 lbs
Live load in travelling position	4,63 kN/m²	96.7 psf
Live load in working position	1,96 kN/m²	40.5 psf
Max. point load per outrigger plate	12,8 kN	2878 lbf

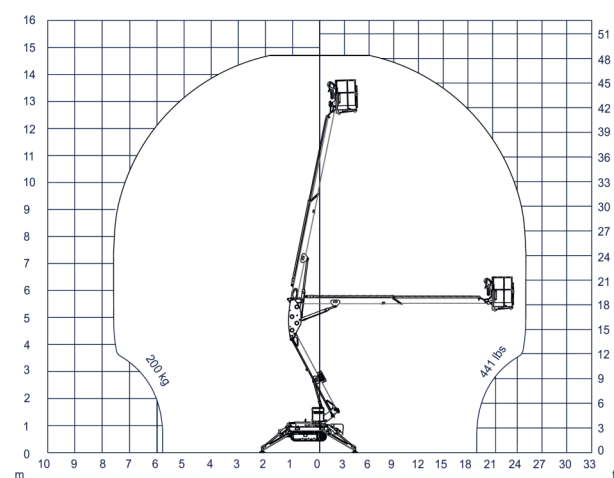
POWER		
Standard power sources (Hybrid: Electric & combustion engine)	1) Petrol/Gas: Robin-Subaru-EX21 (5.1 kW, 7.0 hp) 2) Electric Motor: EU: 230 V, 12.9 A, 2.2 kW US: 115 V, 19.3 A, 1.6 kW	
Optional power sources	Diesel: Hatz 1B30 (5.4 kW, 7.3 hp)	
Fuel tank capacity Gas engines	3,6 l	0.95 gal
Fuel tank capacity Diesel engines	5,0 l	1.3 gal

* optional

LE15GT



WORKING ENVELOPE



STANDARDS COMPLIANCE



EN ISO 9001



EN 280:2001

Product specifications are subject to change without notice or obligation. Photographs and drawings in this document are for illustrative purposes only. Refer to the appropriate Operator's Manual for instructions on the proper use of this equipment. Failure to follow the appropriate Operator's Manual when using our equipment or to otherwise act irresponsibly may result in serious injury or death. The only warranty applicable to our equipment is the standard written warranty applicable to the particular product and sale and we make no other warranty, expressed or implied. Products and services listed may be trademarks, service marks or trade-names of Teupen Maschinenbau GmbH and/or its subsidiaries in the U.S.A. and many other countries. "Teupen", "Access redefined" and "LEO Series" are registered Trademarks of Teupen GmbH in the United States of America and many other countries. © 2012 Teupen Maschinenbau GmbH.

Features

TRACK CHASSIS

- Powerful track drive for precise maneuvering and terrainability
- Rubber tracks with specially arranged profile providing optimum grip
- White, non-marking rubber tracks

STABILISATION

- Fully-hydraulic, automatic leveling system
- Constant outrigger setup monitoring with ground pressure sensing
- Wear resistant, anti-friction PVC outrigger feet

BOOM SYSTEM

- Removable cable remote control
- All functions are available from one control panel
- Electric-proportional controls with intuitive operator guidance
- Robust, lockable control panel cover
- Self-levelling platform with fully-hydraulic levelling system
- Boom rotation via high-performance slew ring, worm gear and hydraulic motor
- Detachable two-person basket with eyelets for safety harnesses
- Emergency controls and emergency lowering system via hand pump or 230 V drive
- 355° turntable rotation

POWER SOURCES

- 230 V Electric Motor (EU), 115 V Electric Motor (US)
- Petrol/Gas engine Robin-Subaru EX21 (5.1 kW/7.0 hp) incl. mount & cover
- Start-Stop switch of combustion engine in the basket

PRODUCTIVITY, SAFETY, QUALITY

- Sturdy base frame with full length forklift pockets
- 230 V (EU), 115 V (US) power outlet in the basket
- Chassis and outriggers with high-quality cathodic metal coating RAL 9005 (black)
- Booms made of anodized aluminum
- Drive operation without basket available
- Cables and hoses are safely routed through the boom structure
- Biodegradable hydraulic oil
- Lock valves - hydraulic return valves directly on all hydraulic cylinders
- Relief valves protecting the hydraulic system from too high pressures
- Protective covers for oil-tank, emergency controls and connecting cables and hoses
- Protective covers for electric housing and ground control panel
- Hour meter



OPTIONS

- Hatz Diesel engine for LE015GT (in lieu of petrol/gas engine)
- 4 covers on piston rod cylinders (outrigger/stabiliser cylinders)
- Mechanically height- & width-adjustable track chassis

ACCESSORIES

- Safety harness
- Outrigger/Stabiliser pads (450 x 400 x 40 mm/1 ft 5 in x 1 ft 4 in x 1½ in)
- Lockable storage frame for outrigger/stabiliser pads
- Track mats (2000 x 1000 x 15 mm/6 ft 6 in x 3 ft 3 in x ½ in), extra durable rubber
- Tandem Low Platform trailer (aluminium) including 4 tension belts (length 3,50 m) permissable total weight: 3000 kg Tandem rubber-sprung axle: 3000 kg Net weight: approx. 440 kg Wheels 155/70/R12 ET20 Lighting fitting according to EU directives
- Lifting device (200 kg load capacity)
- Mounting for lifting device

Enquiries from Europe, Asia, Middle East & Africa:

Corporate Headquarters

Teupen Maschinenbau GmbH
Marie-Curie-Str. 13
Germany

phone +49 2562 8161-0
fax +49 2562 6161-888

mail@teupen.com
www.teupen.com

Enquiries from North & South America:

US Office

Teupen USA, Inc.
10701 Southern Loop Blvd.
Pineville, NC 28134, USA

phone (704) 248-9871
fax (704) 248-9889

infousa@teupen.com
www.teupen.com/us