



MRT 1840 *EASY*


 **Lift capacity**4000 kg
(on stabilisers) at 500 mm from forks heels


 **Lift height**17,90 m


 **Tyres**
400/70 - 20 14 PR

 **Forks (mm)**
Length1200
Width x thickness150 x 50


 **Multidisc brakes**
Hydraulically assisted on front axle
Negative parking brake

 **Engine PERKINS Euro 3**
Type1104D-E44 T
Capacity4 cyl, - 4400 cm³
Power (ISO/TR 14396)101 HP/74,5 kw
at 2200 rpm
Maximum torque392 Nm at 1400 rpm
Water cooling
Direct injection


 **Transmission** hydrostatic with automatic power
regulation (variable displacement pump and motor)
with control inching
Reversing shiftelectromagnetic
Speed forward and reverse2/2
Travel speed35 km/h

 **Rear axle**
Automatic rear axle locking system
at a rotation over 5°


 **4 stabilisers**
simultaneous or individually controlled

 **Rotation through 400° (Optional 360° continuous rotation)**
Turret mounted on a double slew ring
Slewing system with negative brake

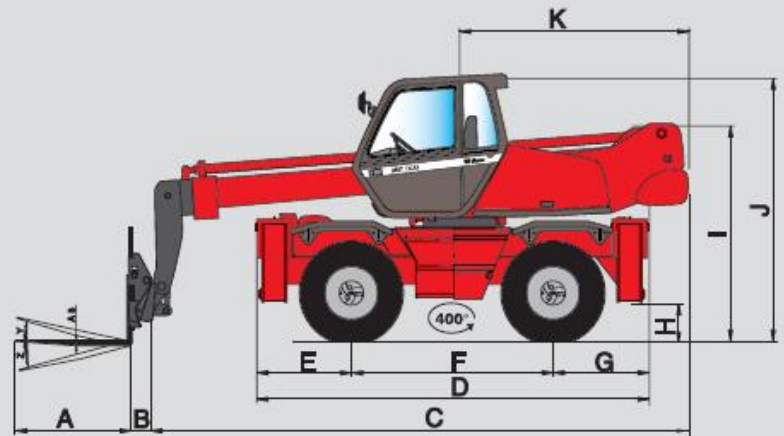
 **Hydraulics**
2 pumps gear type270 bars/115 l/mn

 **Control** : 2 proportional control joysticks for all hydraulic
movements

 **Capacities**
Cooling system25 l.
Engine oil8,1 l.
Hydraulic oil150 l.
Fuel tank130 l.

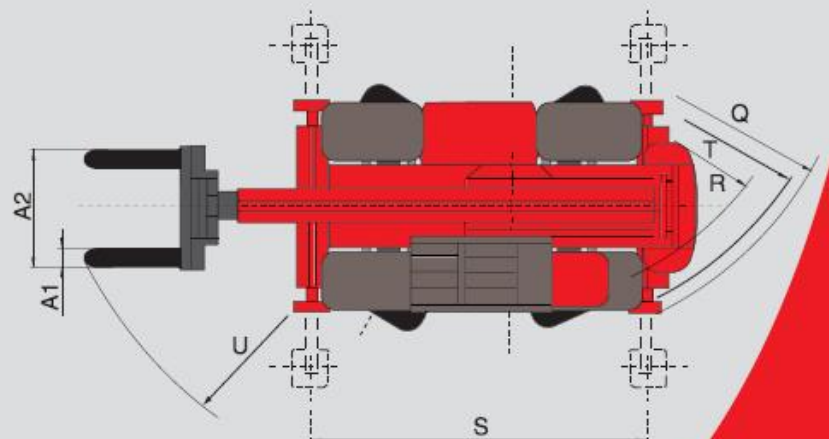
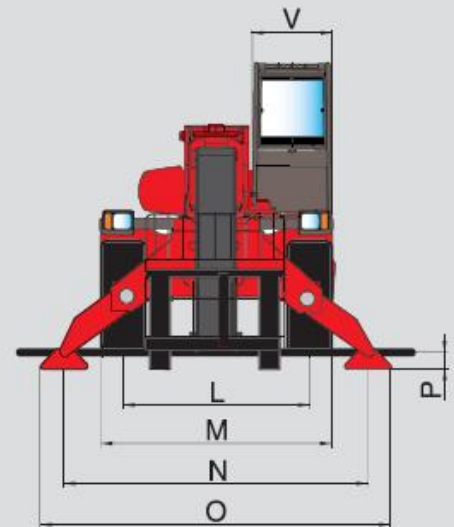
 **Weight unladen (with forks)**13300 kg
Overall **width**2,39 m
Overall **height**2,94 m
Length (forks carriage)5,51 m
Ground clearance0,32 m
Drawbar pull8600 daN

 **Safety**
Standard load moment indicator
(mobile crane standards))



A	1200
A1	150
A2	1320
A3	150
B	290
C	5216
D	4290
E	980
F	2320
G	990
G1	1560
H	320
I	2340
J	2940
K	2520
L	1930
M	2390
N	3715
O	3975
P	210
Q	3900
R	3410
S	4000
T	3600
U	5235
V	950
Y	12°
Z	105°

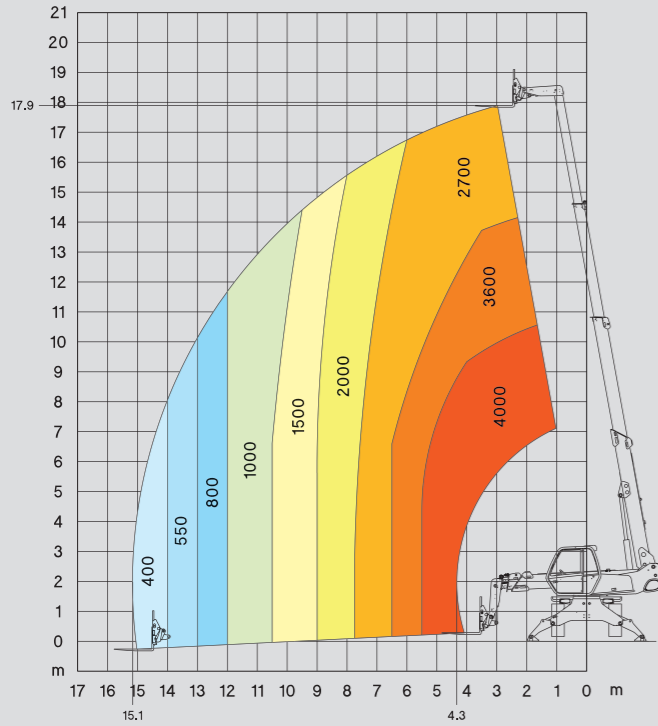
mm



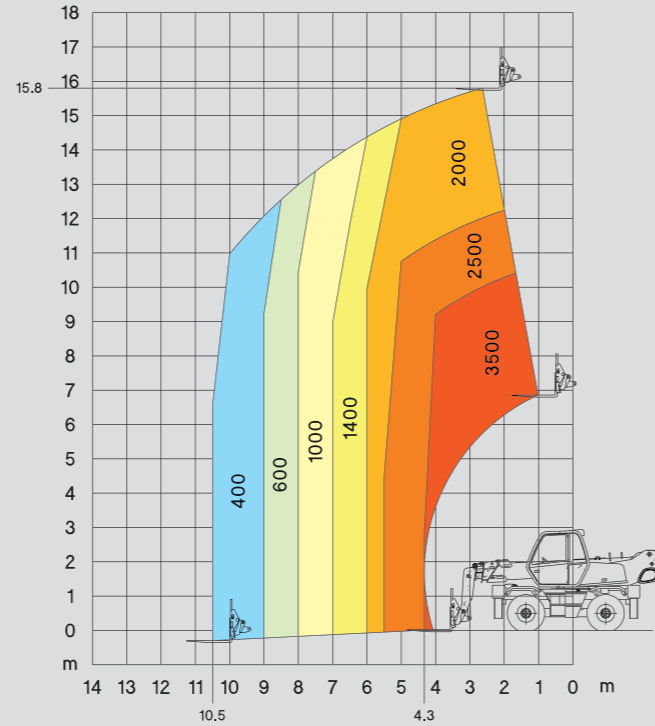
MRT 1840



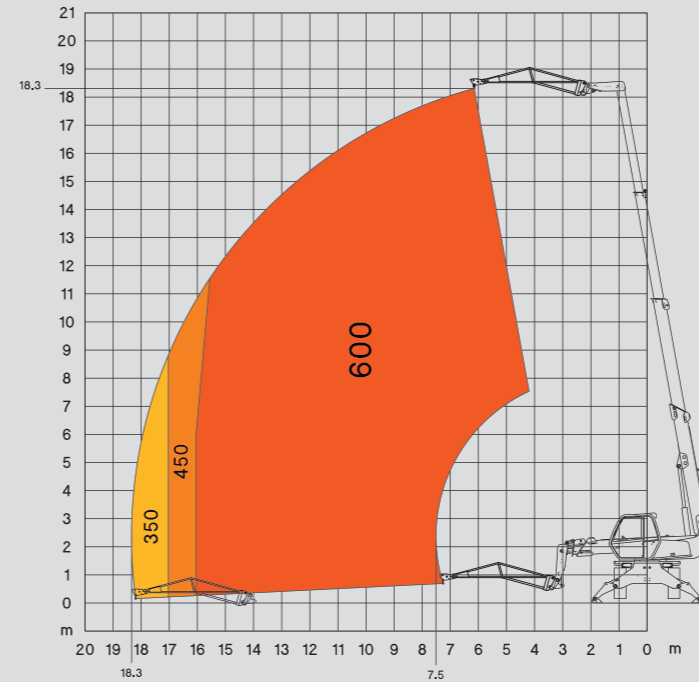
ROTATION ON STABILISERS WITH FORKS



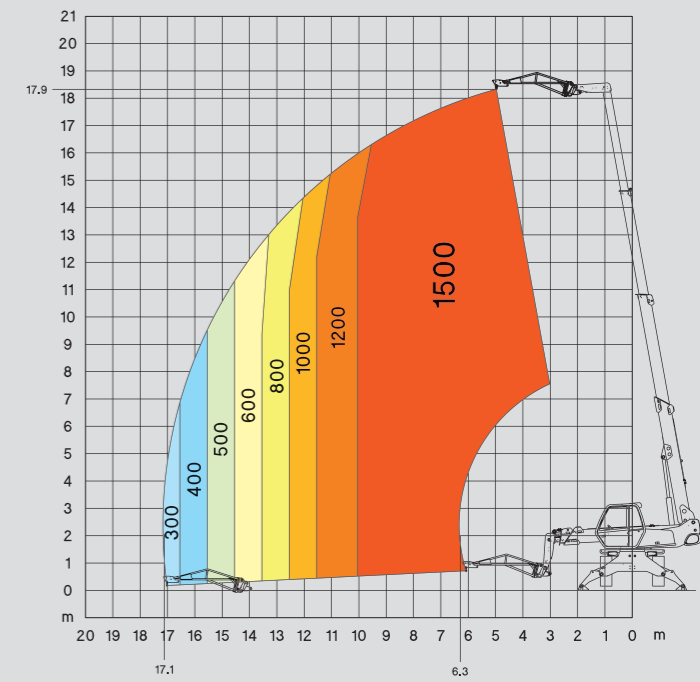
FRONTAL POSITION ON WHEELS WITH FORKS



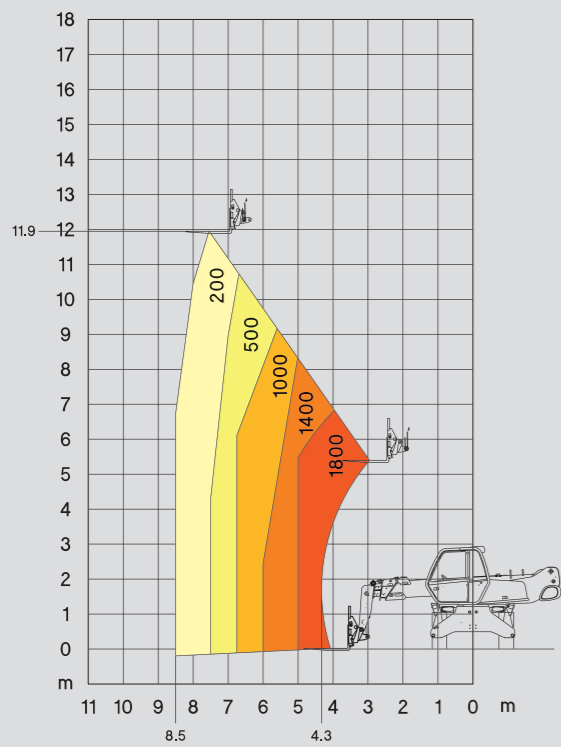
ROTATION ON STABILISERS WITH JIB P 600



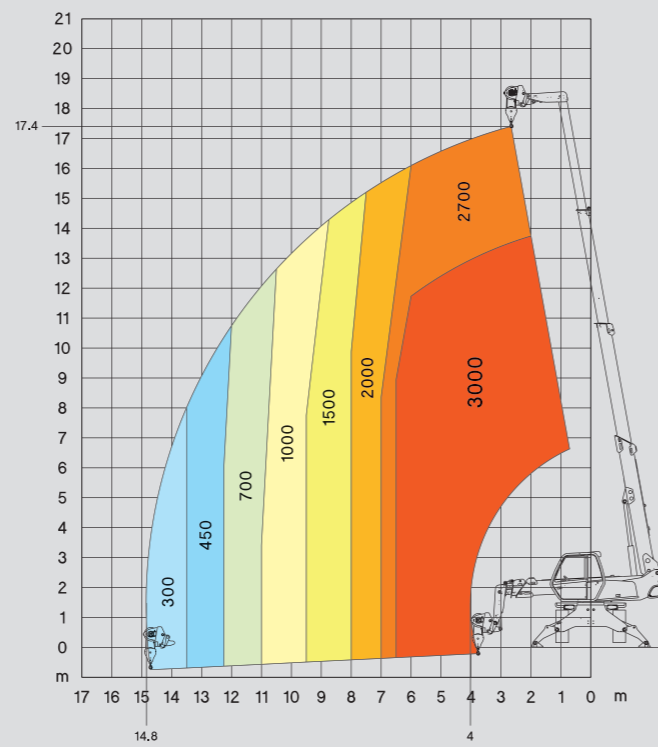
ROTATION ON STABILISERS WITH JIB P 1500



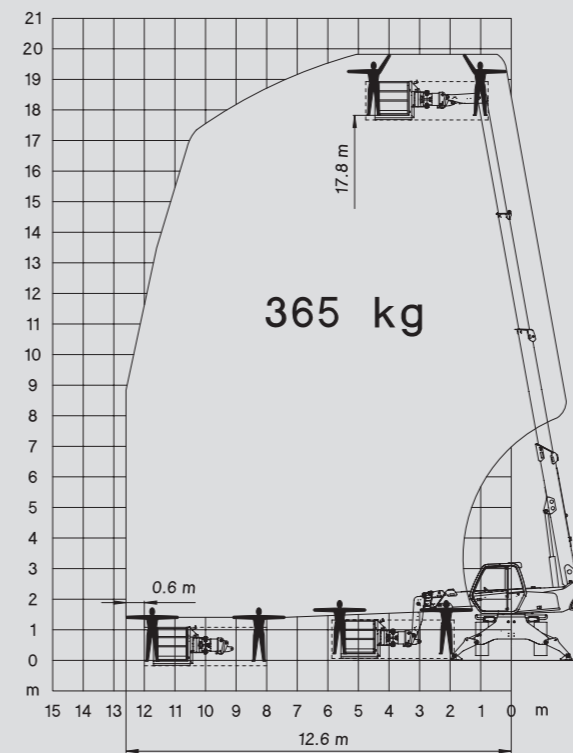
ROTATION ON WHEELS WITH FORKS



ROTATION ON STABILISERS WITH 3T WINCH



ROTATION ON STABILISERS WITH 365 KG PLATFORM ORH - 2/4 m



ROTATION ON STABILISERS WITH 1000 KG PLATFORM ORH - 2/4 m

