

MT 625 T

Lifting capacity 2500 kg
 at 500 mm from forks heels
 Tipping load at max reach 1040 kg
 Break out force
 as per standard ISO 8313-1986 3427 daN

Lifting height 5.85 m
Time: laden/unladen (in s)
 Lifting 8/8
 Lowering 5.4/5.3
 Telescope
 Extension 5.6/5.9
 Retraction 4.3/4
 Time unladen (in s)
 Crowd 3.5
 Dump 3.6

Front/rear tyres
 12-16.5 SKS CL TUBELESS

Forks (mm)
 Length 1200
 Width x thickness 125 x 45

Oil immersed multidisc brake

KUBOTA engine
Type V3307-DI-T-E3B
 Capacity 4 cylindres/3331 cm³
 Power (ISO/TR 14396)
 Turbo 75 hp/55.4 kW
 Max. torque. (ISO/TR 14396) ... 265 Nm at 1400 tr/mn
 Injection direct
 Cooling water

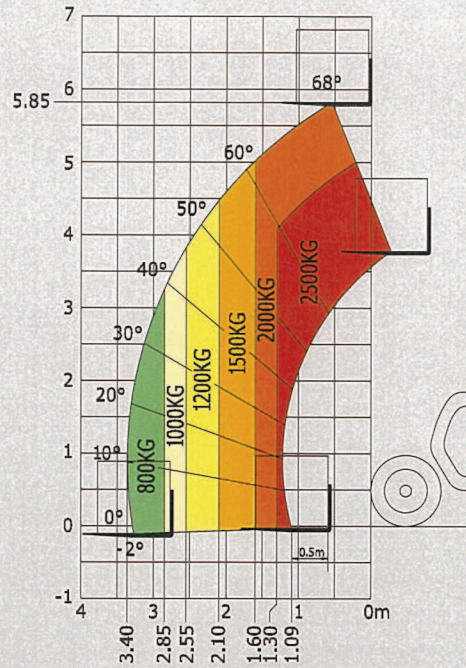
Transmission hydrostatic
 Gear reverser electro - hydraulic
 Speed forward and reverse 2/2

Hydraulics
 Gear pump 87.9 l./mn at 235 bar
 Flow divider priority for steering

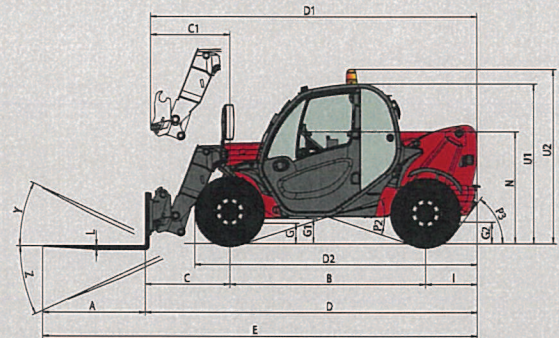
Capacities
 Cooling system 12 l.
 Transmission oil 85 l.
 Engine oil 11.2 l.
 Fuel tank 63 l.

Empty weight (with forks) 4710 kg
 Overall **Width** 1.82 m
 Overall **Height** 1.92 m
Turning radius (outer wheels) 3.30 m
Length at carriage 3.90 m
Ground clearance 0.33 m
Drawbar pull 4170 daN

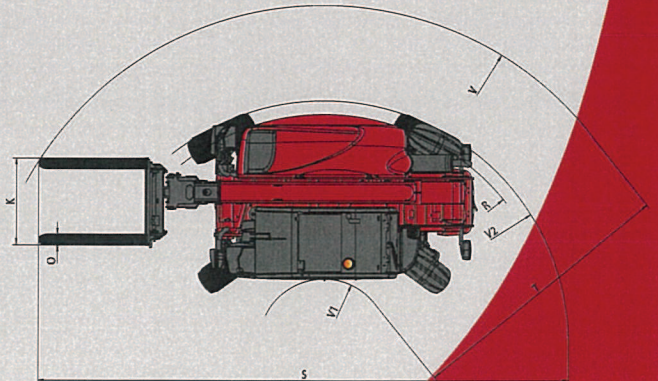
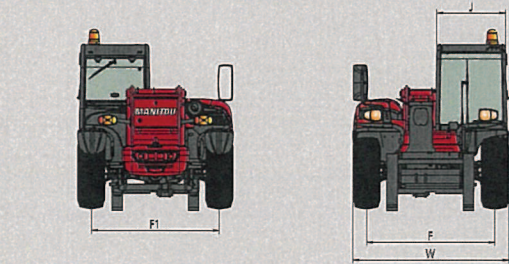
Maximum height reach: 0.66 m



As per standard EN 1459 Annex B



MT 625 T	
A	1200
B	2300
C	991
C1	928
D	3894
D1	3831
D2	3275
E	5094
F	1492
F1	1492
G	240
G1	330
G2	253
I	603
J	797
K	1015
L	45
N	1314
O	125
P2	37
P3	52
R	3150
S	6651.5
T	3935
U1	1920
U2	2054
V	4700
V1	765
V2	3310.5
W	1813
Y	11.8°
Z	116.5°



The indicated specifications are not binding on the maker and may be modified without notice. The Manitou trucks presented in this brochure may be fitted with optional items of equipment.

